

>3S 1000/1300/2000 D multiturn actuator

MODBUS RTU



x|active



> Drive types

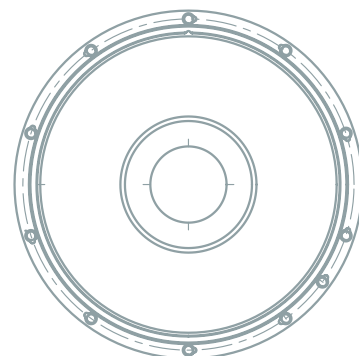
Type	Power rating	Torque Max.	Continuous torque in operating mode	Rotation Speed Min.	Rotation Speed Max.
	min.	max	S3-50 % 60 min	min.	max.
1000D-450	1000	450	220	3	30
1000D-950	1000	950	470	1.5	15
1300D-725	1300	725	360	3	30
1300D-1450	1300	1450	720	1.5	15
2000D-1100	2000	1100	550	3	30

> Actuator Data

Feature	Standard	Optional
Motor	Motor Variable-speed 48 V DC synchronous motor, permanent excitation	
Operating mode	Duty type S2-30 min Duty type S3-50 % 60 min	
Insulation class	B	
Motor protection	Thermosensor Current limiting	
Limit switching	Magnetic absolute encoder Electronic shutdown	
Torque switching	Infinitely adjustable electronically, blocking and breakaway torque individually	
Position feedback	Magnetic absolute encoder via digital interface	
Mechanical position indicator	No	Continuous motion work, OPEN/CLOSED end positions can be set
Manual operation	Via 27/24 standard square-end on top of actuator	
Connection types	F14 B3 according to EN ISO 5210, in ground installation "Berliner Kappe®"	
Motor compartment heating	20 Watt (with grid connection)	40 Watt (with grid connection)
Weight	59 kg (1000 D), 61 kg (1300 D), 71 kg (2000 D)	

> Power supply

Feature	Standard	Optional
Power supply	58 V DC via external power supply: 90-250 V AC, 12-6 A nominal current	3S Energy Save with 3S Battery Pack 1400
Protection	D01 16 A	Internal when battery-operated
Power input	< 1200 W max (1000 D), < 1600 W (1300 D), < 2400 W (2000 D)	
Electrical connection	Plug connection IP68	
Overvoltage protection	EN61000-4-5 Class 3, Galvanically separated, test voltage 2500 V AC 1min (grid supply)	



> Control

Feature	Standard	Optional
Digital interface for commands and actuator feedback	Profibus or Modbus (RS485) (grid-connected)	x-active (mobile radio/2G/3G/4G), Field bus fiber optic interface
Actuator configuration/ actuator analysis	Digital PC service interface (RS232)	Digital PC service interface (USB), WiFi connector
Local control unit		connection via service interface, OPEN, STOP, CLOSED keys, 5 signal lamps, authorisation key switch, PC service interface
Sensor data tracking/ transmission	Internal motor and electronics temperature, humidity inside actuator casing	External sensor data (e.g. pressure or temperature)
Speed control	Infinitely adjustable speed profile	
Torque control	Infinitely adjustable stop position and torque breakaway	
Type of seating	Position stop or torque switch OPEN and/or CLOSED	
Data logging	Status data of actuator/valve	External sensor data; sensor data-controlled operation of valve

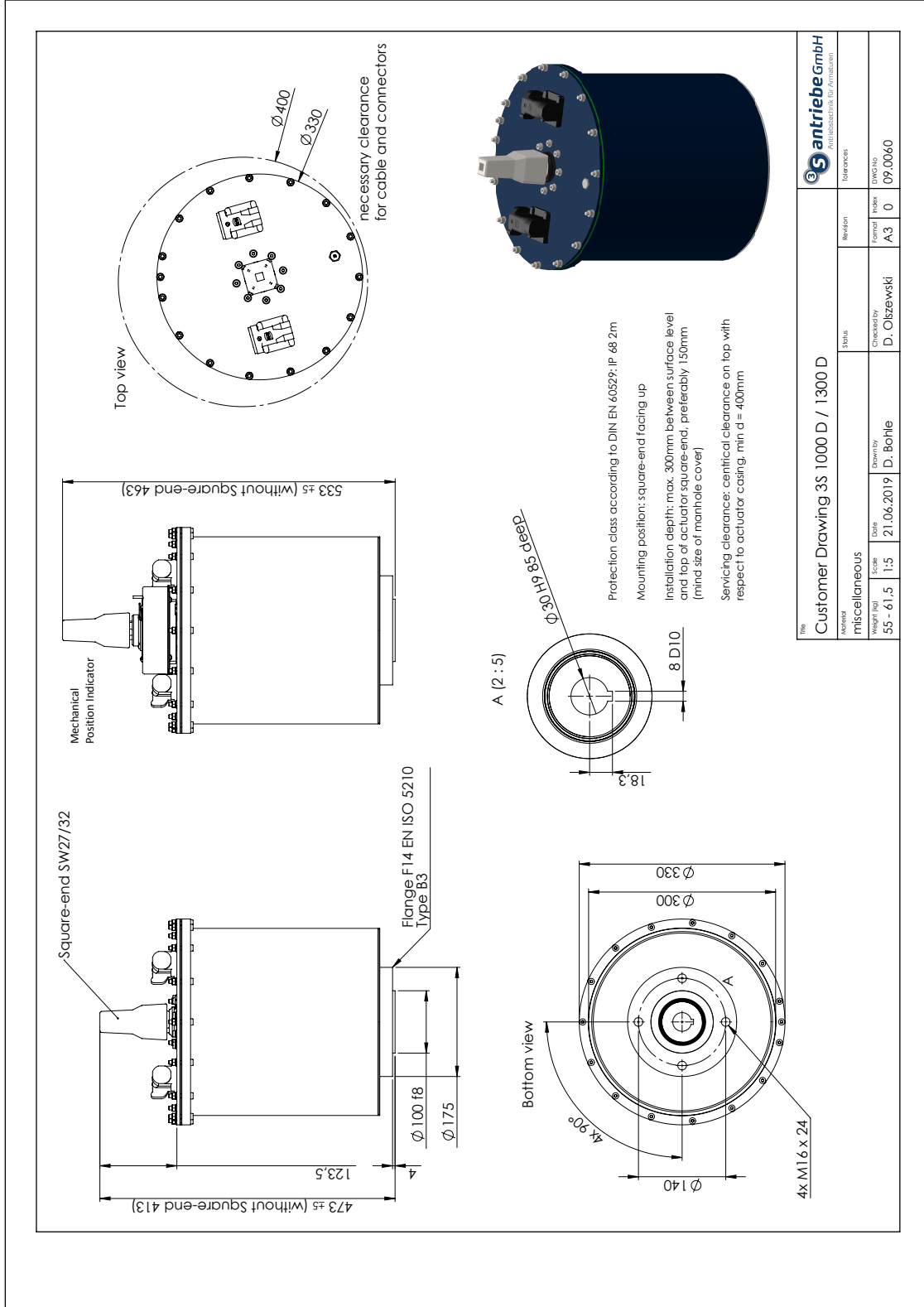
> Interfaces x-active server

Feature	Standard	Optional
Web interface	Access via secure connection on private server	Access via secure connection on hosted server
SOAP interface	Access via secure connection on private server	Access via secure connection on hosted server
OPC server	OPC server on private hardware	OPC server on server hosted server, connection via OPC tunnel

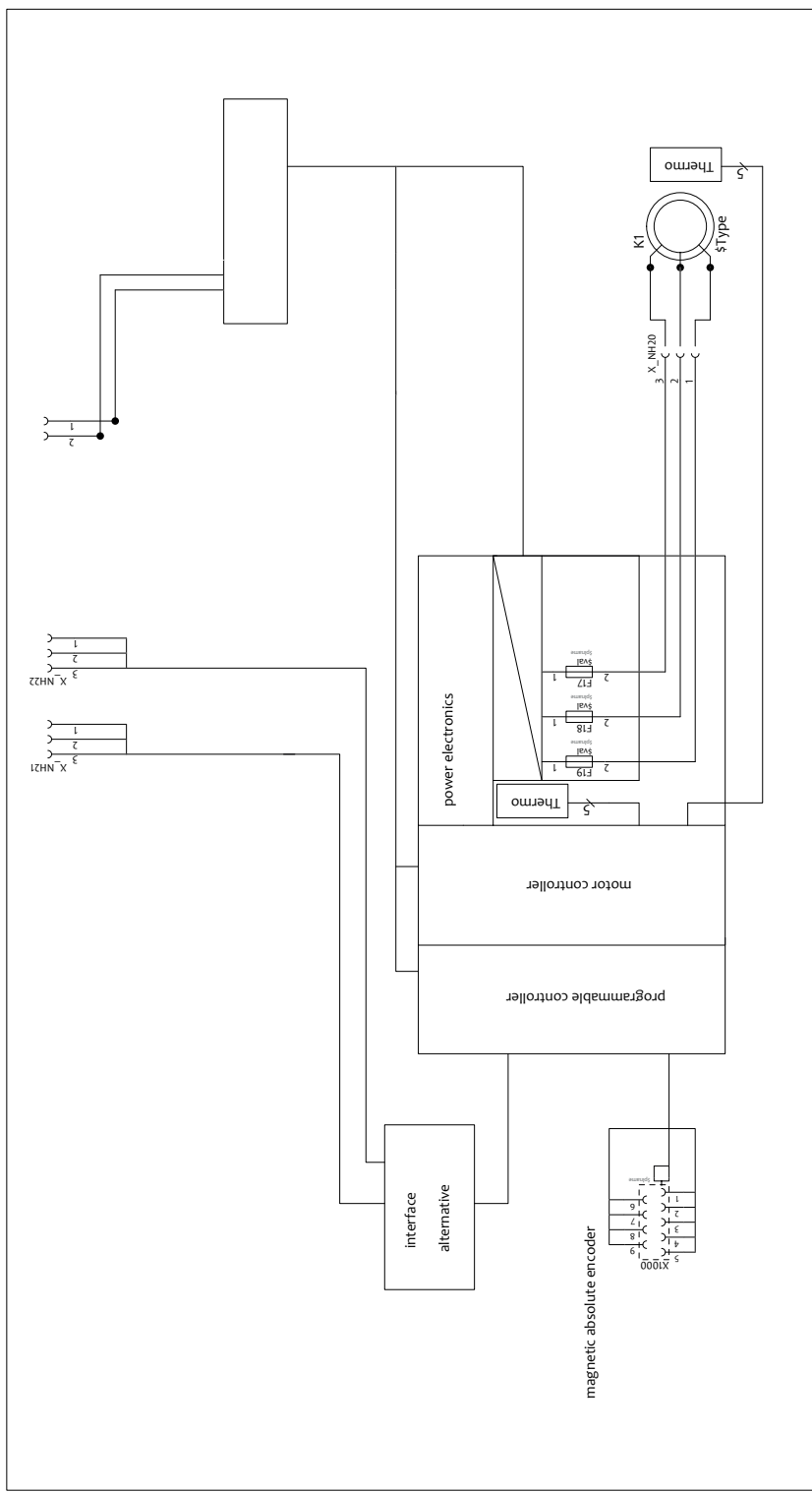
> Operational conditions

Feature	Standard	Optional
Installation type	Indoor/outdoor Earth placement	Electric decoupling
Mounting position	Vertical/upright	
Protection class	IP68 Atex II 3G Ex nR IIC T6 Gc	
Protection from corrosion	Actuator casing of stainless steel (V2A), powder-coated	Actuator casing of stainless steel (V4A), powder-coated
Ambient temperature	-25 bis + 60 °C	-40 bis +60 °C (grid-connected)

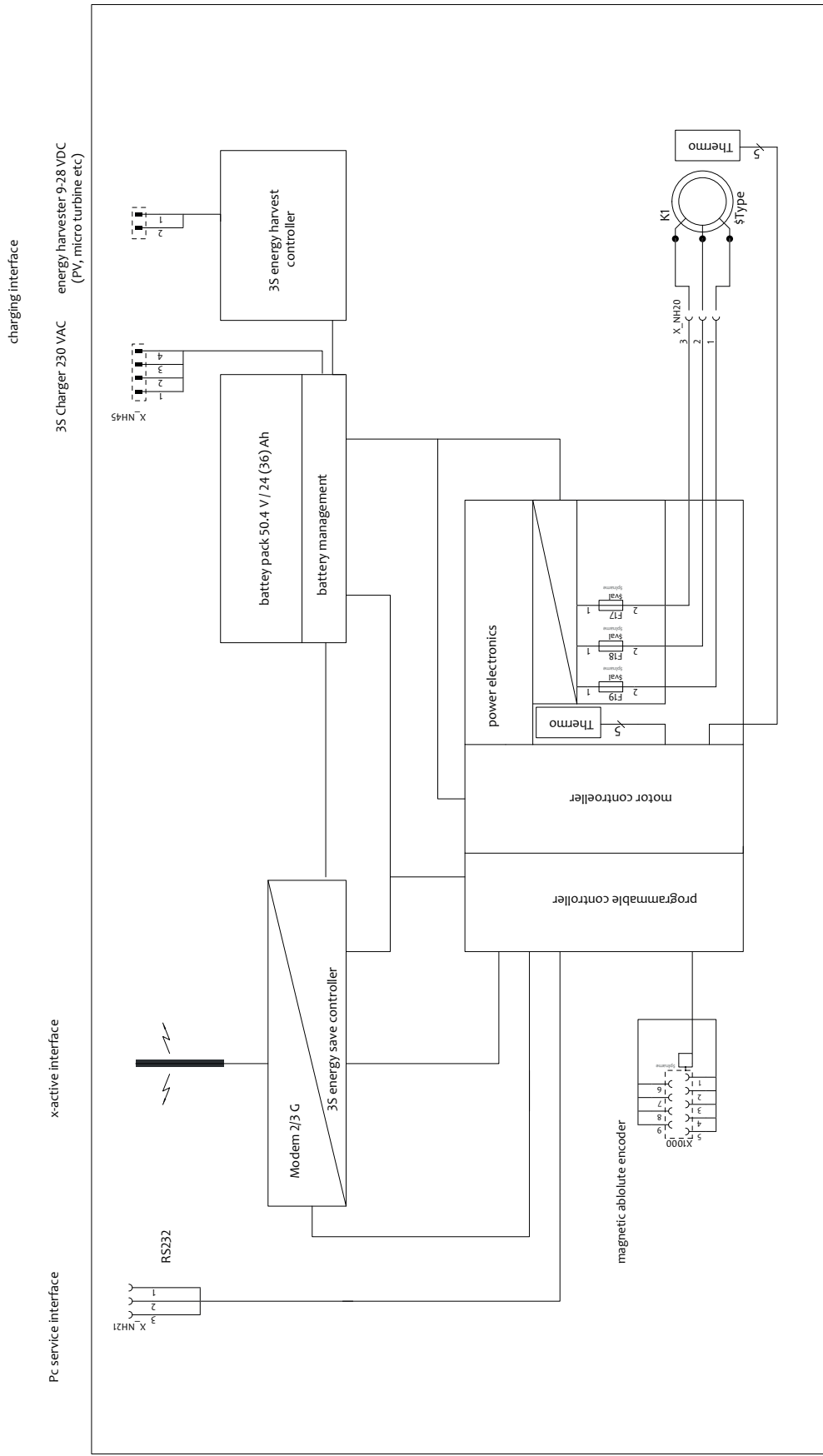
> Installation dimensions



> Schematics



3S - Antriebe GmbH		Project: 3S Antrieb	
Bearbeiter: Datum:		Connections grid supply	
...		File: Element:	
...		10mm	
...		Sheet 1 of 2	
SS-Antriebe GmbH ... 12109 Berlin ... Ullsteinstr. 108 ... Tel. 0 30 21007264-10			



3S - Antriebe GmbH	Project	3S Antrieb
	connections battery supply	
Bearbeiter: Datum:	File:	
	Element:	
3S-Antriebe GmbH	- D1109 Berlin	- Ullsteinstr. 108
		- Tel. 0 30 700764-10



3S Antriebe GmbH
Schichauweg 52
12307 Berlin

Tel +49(30)7007764-0
Fax +49(30)7007764-20
info@3S-Antriebe.de

www.3S-Antriebe.de