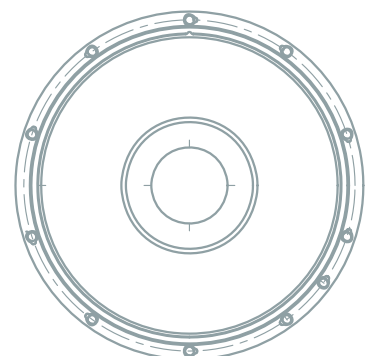


>3S Akkupack 1200/1800 3S Battery Pack 1200/1800

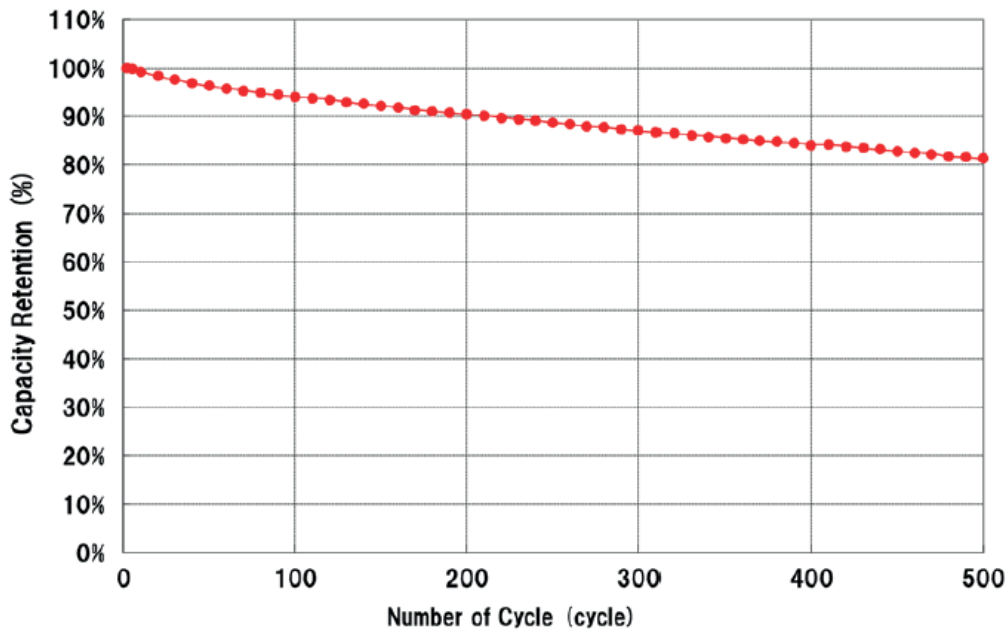


> Technical Data

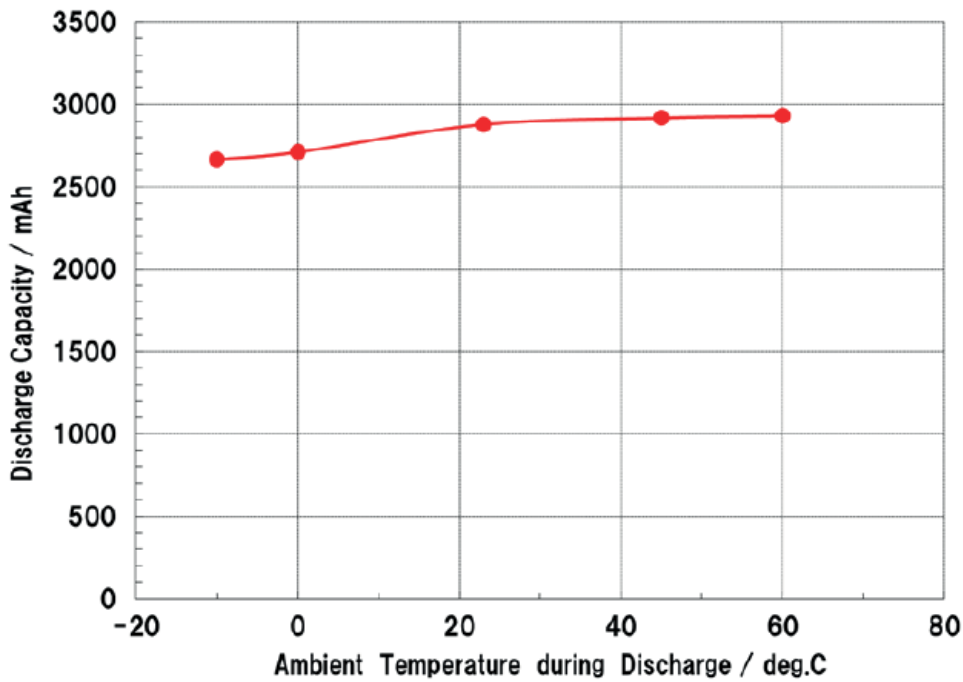
Nominal voltage	50,4 V
Maximal voltage	58 V
Maximal current	64/96 A
Rated capacity	1200: 23 Ah / 1170 Wh 1800: 35 Ah / 1760 Wh
Maximal discharge power	3 /4,5 kW
Chemical system	Lithium-Mangan-Oxide (Lithium-Ionen battery)
Weight	14/17 kg
Charging time with 3S Charger 1000	approx. 1,5 hours
Charging Voltage	36 – 58,5 VDC
Protection class	IP 68
Battery Management	Microcontroller operated
Suitable for	3S 300 D, 3S 500 D, 3S 1000 D, 3S 1500 D, 3S 2000 D
Operating temperature	-20 - +60 °C
Charging temperature	0 - +45 °C
Suitable charger	3S Charger 600/1500 only
Connectors	Power/communication to 3S actuator, charger/PC interface
Charge condition indicator	4 LED: >90 %, >60 %, >30 %, <30 %
Self-monitoring by battery management	Charge condition, Voltage, current, temperature, humidity, alarm indication available via 3S actuator interface
Transportation	Dangerous goods class 9, UN3480



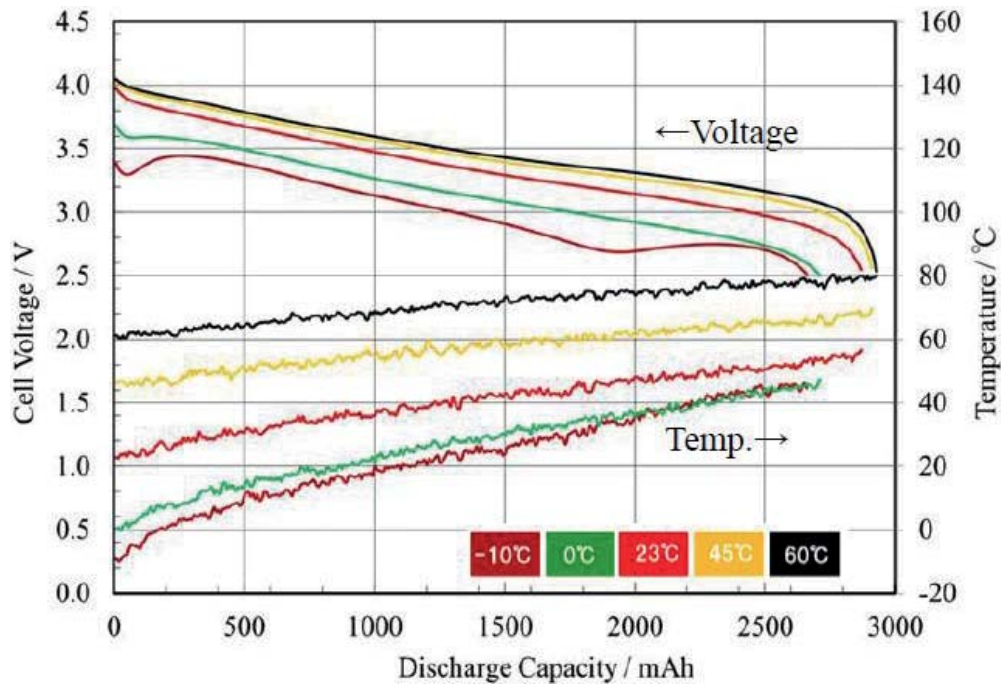
> Cycle Life Performance 6A Discharge



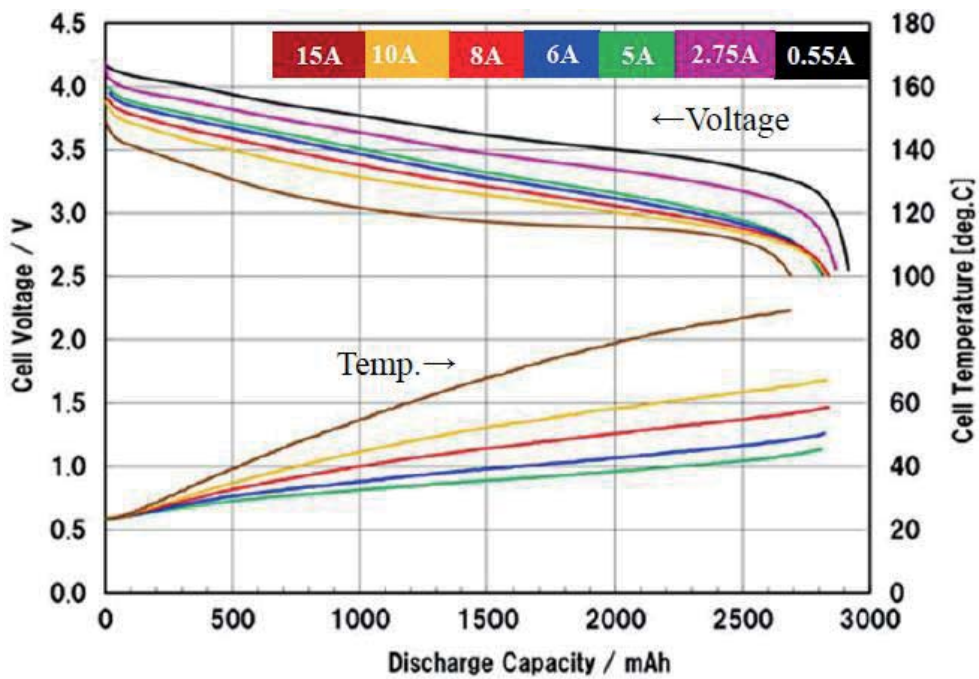
> Temperature Dependency of Discharge Capacity



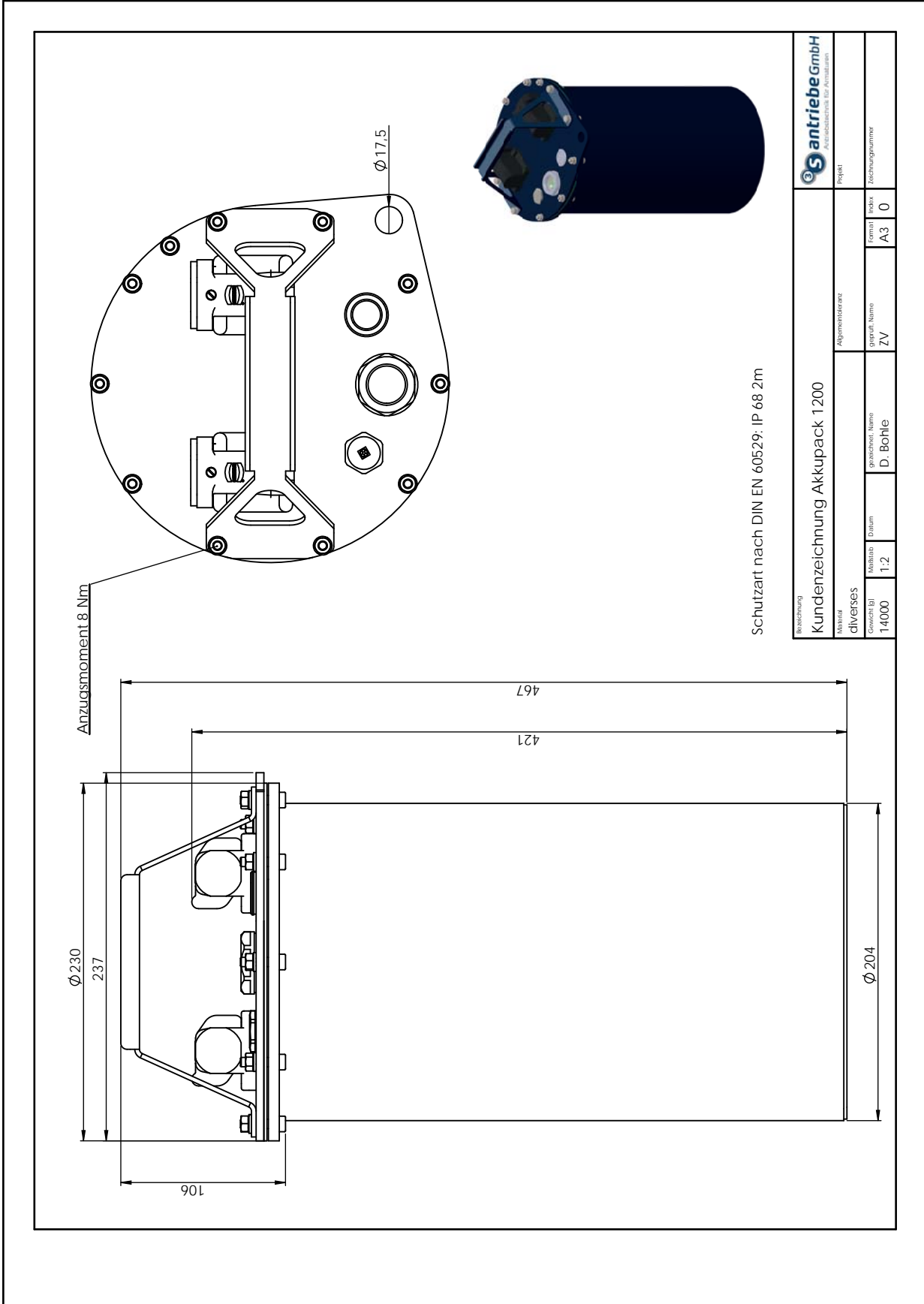
> Temperature Dependency of Discharge Curves



> Discharge Load Characteristics



> Dimensions





3S Antriebe GmbH
Schichauweg 52
12307 Berlin

Tel +49(30)7007764-0
Fax +49(30)7007764-20
info@3S-Antriebe.de

www.3S-Antriebe.de
www.blog.3S-antriebe.com